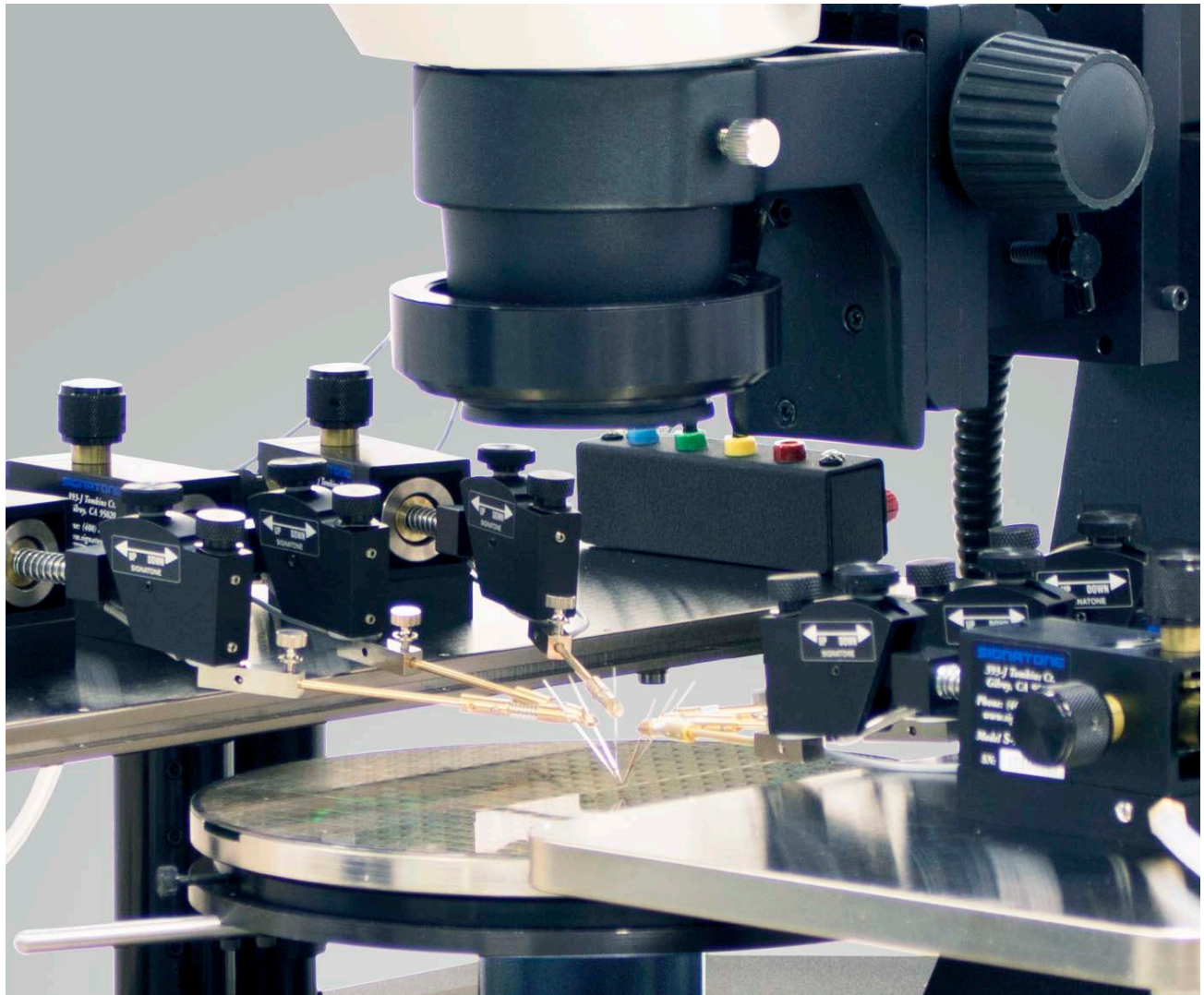


Signatone S-725 General Purpose, 3-Axis Micropositioner



❖ FEATURES / APPLICATIONS

Signatone offers an extensive line of Micropositioners to address virtually every probing and measurement application, ranging from the very simple to the highly complex sub-micron high-resolution positioners.

The S-725 General Purpose 3-axis Micropositioner accommodates the majority of Signatone's probe arms and single needle probes allowing for a variety of test configurations. Available with vacuum or magnetic base, pivot, spring, or rigid head, 3-Axis direction control, this positioner is very economically priced and recognized as the best value in the probing market.

Designed for a Variety of Probing Applications

- IV/CV Coaxial-Low Current
- Failure Analysis
- Pad Probing
- High Power Test
- Resistivity Measurements
- MEMS Test
- Your Application

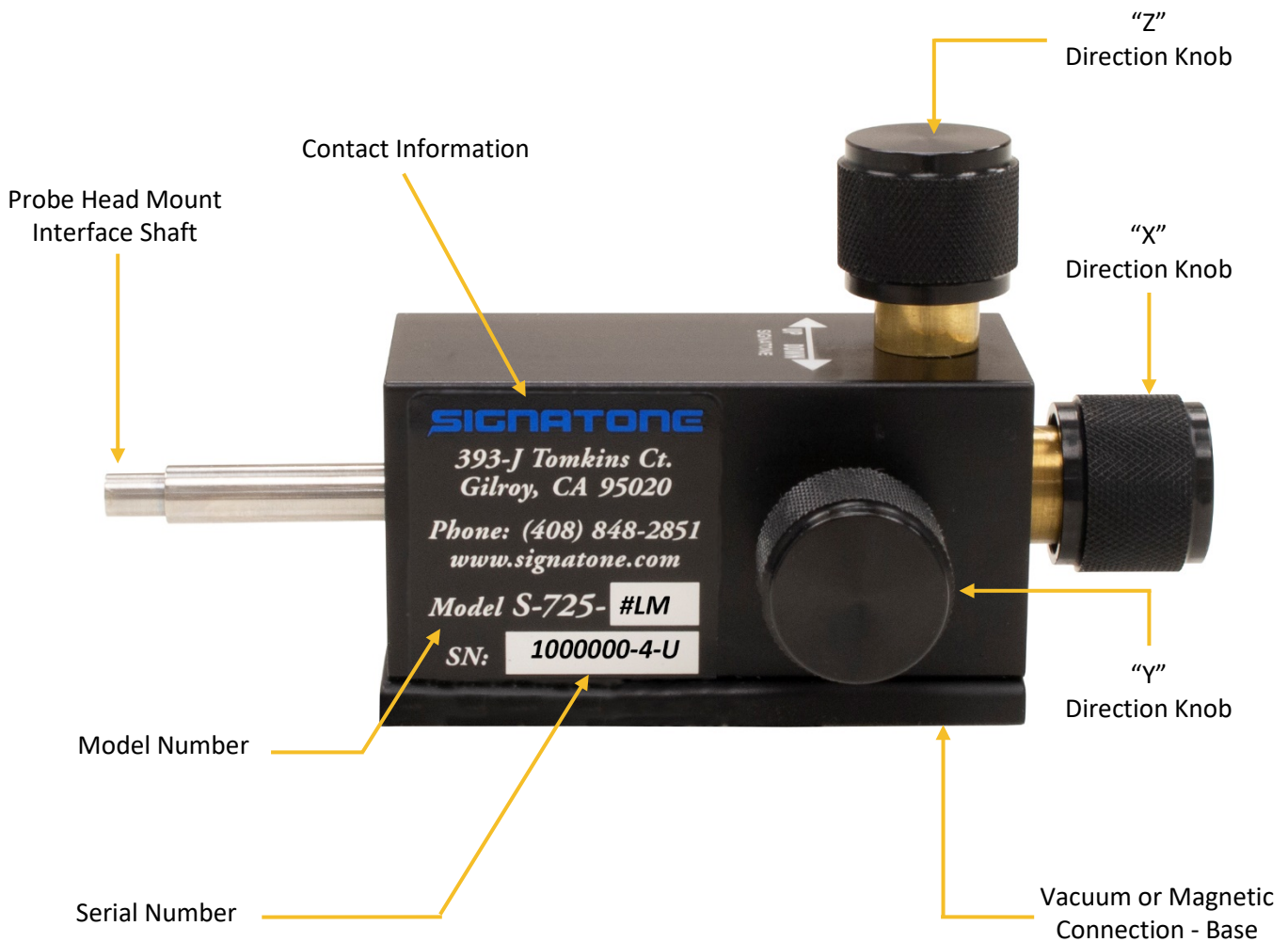
SPECIFICATIONS

Model S-725

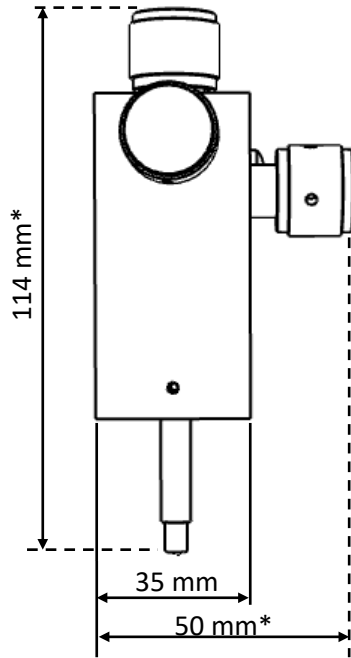
Travel range	X = 19 mm Y-Z = 15 mm
Feature resolution	5 μm
Screw resolution	80 TPI
Mounting	Vacuum, Magnetic
Footprint (W/D)	67mm x 35mm

Application

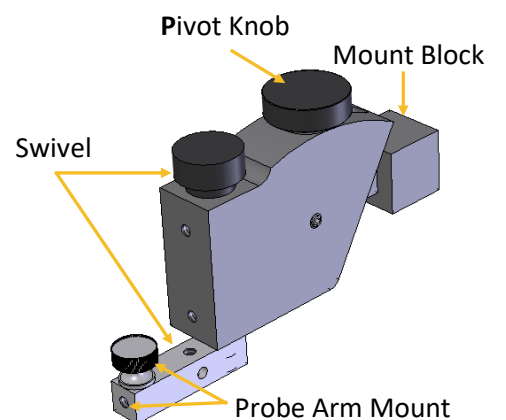
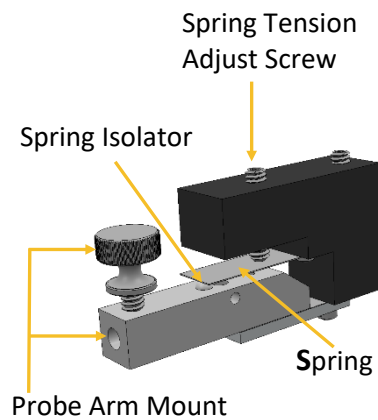
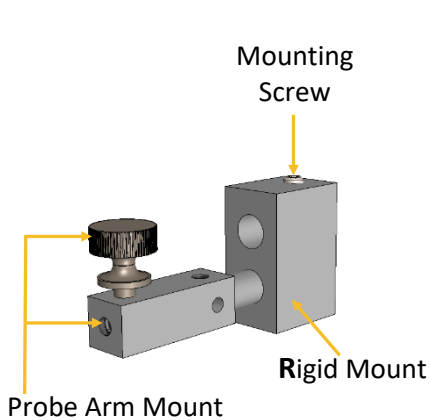
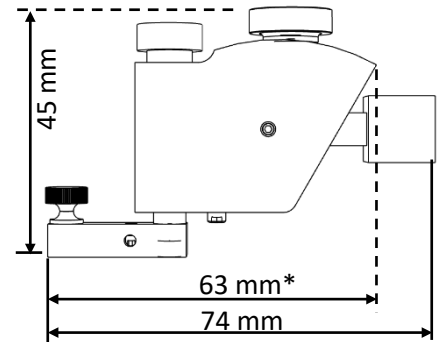
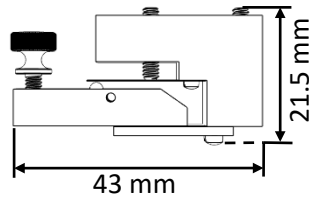
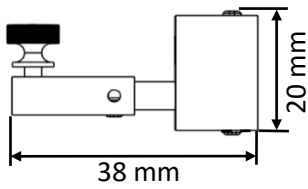
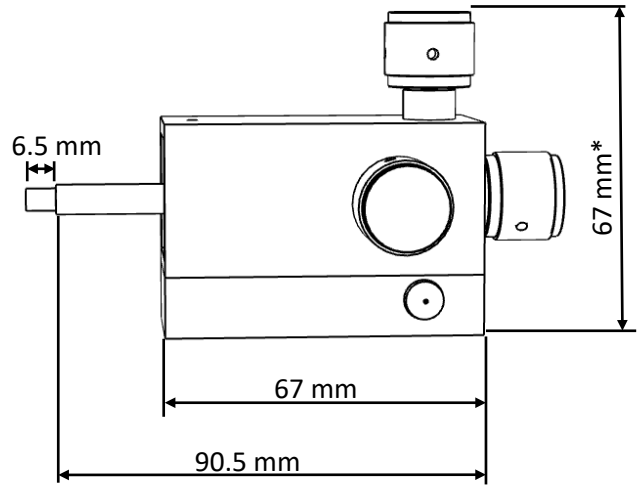
Small footprint/ allows for multiple probes
CV/IV coaxial probing
Failure analysis
Resistivity -Duel Kelvin 4-point probing
Pad probing
High-power probing



❖ **DIMENSIONS – Rigid, Spring and Pivot Head Configurations**



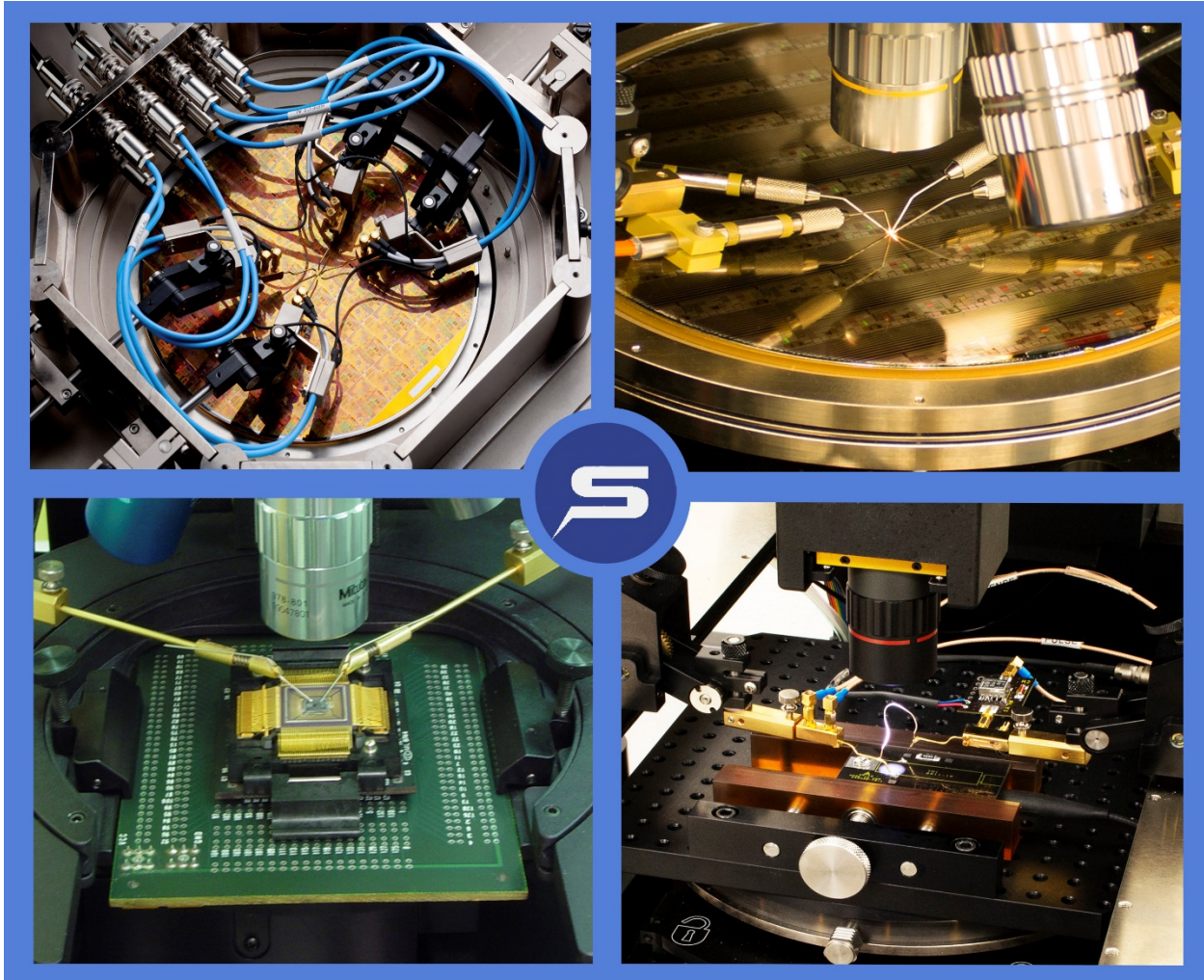
S-725#LV



❖ WARRANTY

- Standard Warranty 12 months *
For Extended Warranty and Service Contracts contact Signatone Corp. for more information

* See Signatone Corporate Terms and Conditions of Sale for further details.



GRENOBLE - FRANCE

Tel : +33 (0)4 76 56 16 17

Email : contact@microworld.eu

www.microworld.eu